

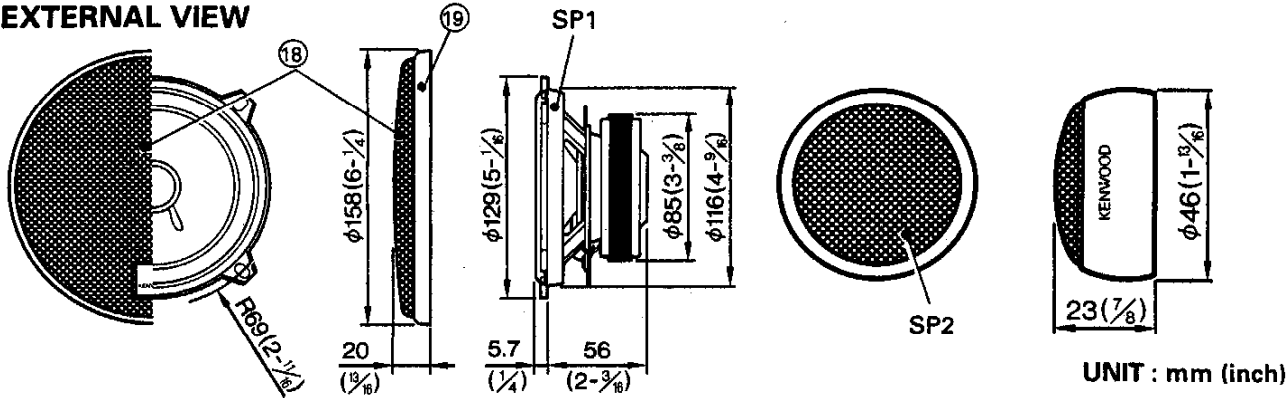
KFC-HQP50

SERVICE MANUAL

KENWOOD

© 1994-7 PRINTED IN JAPAN
B51-6741-00 (N) 327

EXTERNAL VIEW



UNIT : mm (inch)

PARTS INCLUDED

- ① x 2
- ⑨ φ4 x 25 x 16
- ② x 2
- ⑩ φ3 x 20 x 4
- ③ x 2
- ⑪ φ3 x 10 x 4
- ④ x 2
- ⑫ M4 x 20 x 2
- ⑤ x 2
- ⑬ φ4 x 2
- ⑥ x 2
- ⑭ φ4 x 2
- ⑦ φ4 x 8
- ⑮ M4 x 2
- ⑧ φ3 x 4
- ⑯ M4 x 2
- ⑰ x 1

PARTS LIST

* New Parts
Parts without Parts No. are not supplied.
Les articles non mentionnés dans le Parts No. ne sont pas fournis.
Teile ohne Parts No. werden nicht geliefert.

Ref No.	New Parts	Parts No.	Description
①	*	J21-8201-08	Hardware (A)
②	*	J21-8199-08	Bracket (A)
③	*	J21-8200-08	Bracket (B)
④	*	J21-8202-08	Hardware (B)
⑤	*	L75-2052-08	Network
⑥	*	B43-0937-08	Badge set
⑦~⑯	*	N99-1285-08	Screw set
⑰		J69-0117-08	Viscous tape
⑱	*	F09-1098-08	Protector
⑲	*	B06-0886-08	Grille
SP1	*	T06-0331-08	Mid-range
SP2	*	T03-0482-08	Tweeter

KENWOOD follows a policy of continuous advancements in development.

SPECIFICATIONS

- Speakers
 - Midrange 130mm (5 in) Injection P.P. Cone Type 275g (9.7 oz) Magnet
 - Tweeter 25mm (1 in) Dome Type
- Peak Power 150Watts
- Frequency Response 45Hz~26,000Hz
- Sensitivity 89dB/W at 1m
- Impedance 4 Ohms
- Net Weight With Grille
 - Midrange 1,660g (3.7 lb)/Pair
 - Tweeter 120g (4.2 oz)/Pair
- Passive Crossover Network
 - Crossover Frequency 4,500Hz

TECHNICAL SPECIFICATIONS

	SYMBOL	UNIT	VALUE
MIDRANGE			
Nominal Impedance	Z	ohms	4
DC Resistance	RE	ohms	3.40
Voice Coil Inductance	LBM	μH	0.14 × 10 ³
Resonant Frequency	FSD	Hz	90
Resonant Frequency Impedance	ZSO	ohms	38.72
Mechanical Q Factor	QMS		6.408
Electrical Q Factor	QES		0.638
Total Q Factor	QTS		0.569
Volume Acoustic Compliance	VAS	liters (cu. ft.)	4.09 (0.114)
Mechanical Resistance	RMS	kg/s	0.629
Moving Mass	MMS	g	7.09
Suspension Compliance	CMS	m/N	0.432 × 10 ⁻³
Emissive Diameter of the Diaphragm	D	mm	102
Voice Coil Diameter	d	mm	25.38
Voice Coil Layers	n		2
Flux Density	B	T	1.183
Force Factor	BL	T·m	4.779
Diameter of Magnet	A	mm	85
Weight of Magnet	MAGWeight	kg	0.276
Total Flux	Φ	Wb	4.33 × 10 ⁻⁴
Peak Exclusion	Xmas	mm	1.1
TWEETER			
Nominal Impedance	Z	ohms	4
DC Resistance	RE	ohms	3.60
Voice Coil Inductance	LBM	μH	0.023 × 10 ³
Emissive Diameter of the Diaphragm	D	mm	29
Voice Coil Diameter	d	mm	25.43
Voice Coil Layers	n		2
Flux Density	B	T	1.100
Diameter of Magnet	A	mm	23.5
Weight of Magnet	M	kg	0.011
Total Flux	Φ	Wb	1.75 × 10 ⁻⁴